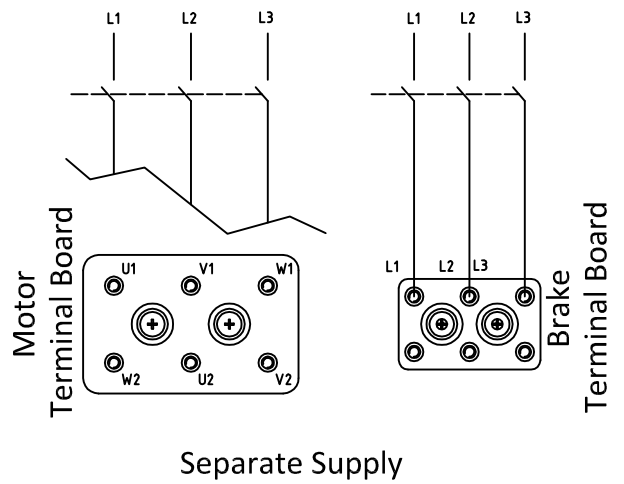
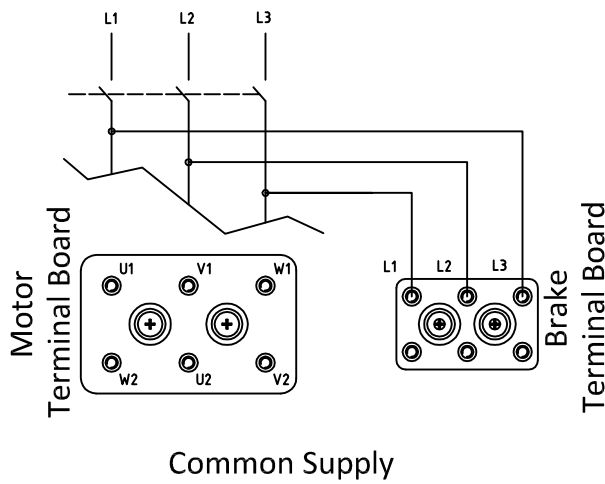
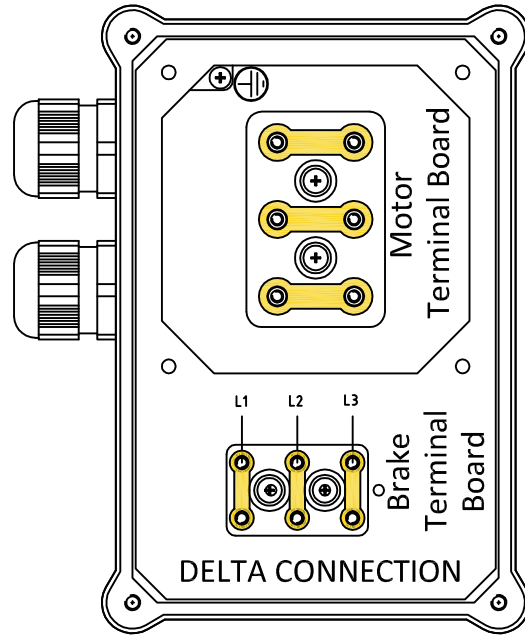
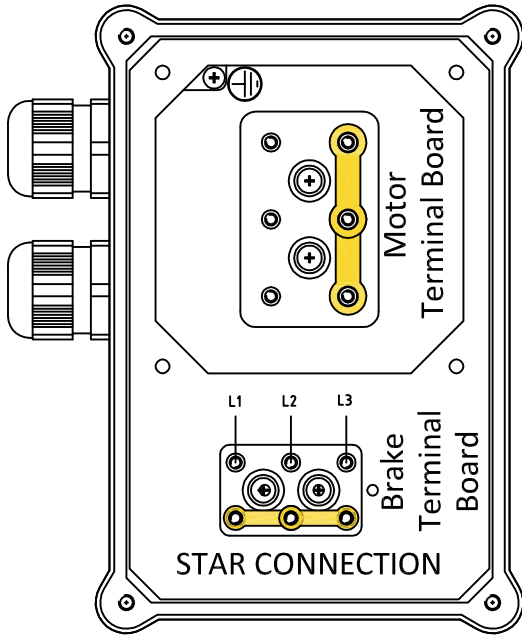




THREE-PHASE MOTORS CONNECTION DIAGRAM WITH AC BRAKE



Refer to the user manual for the motor connection diagram