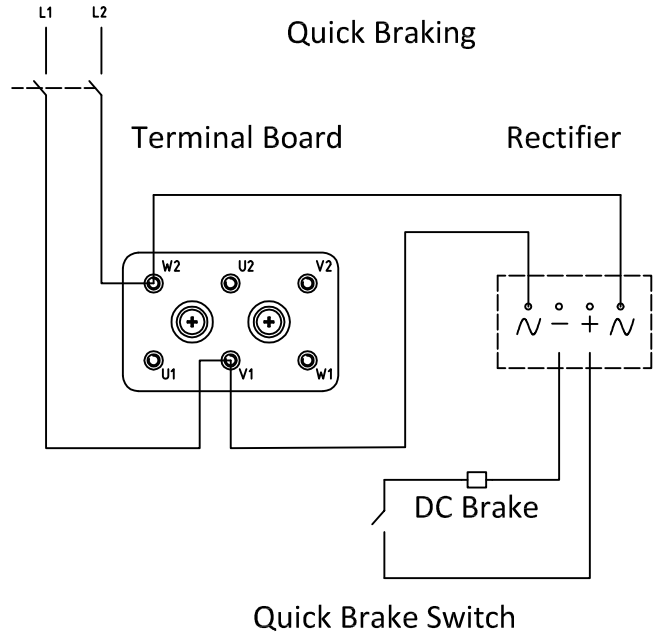
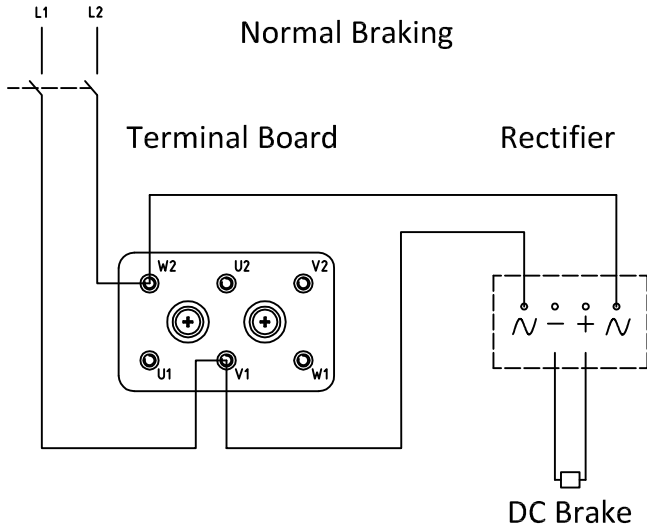


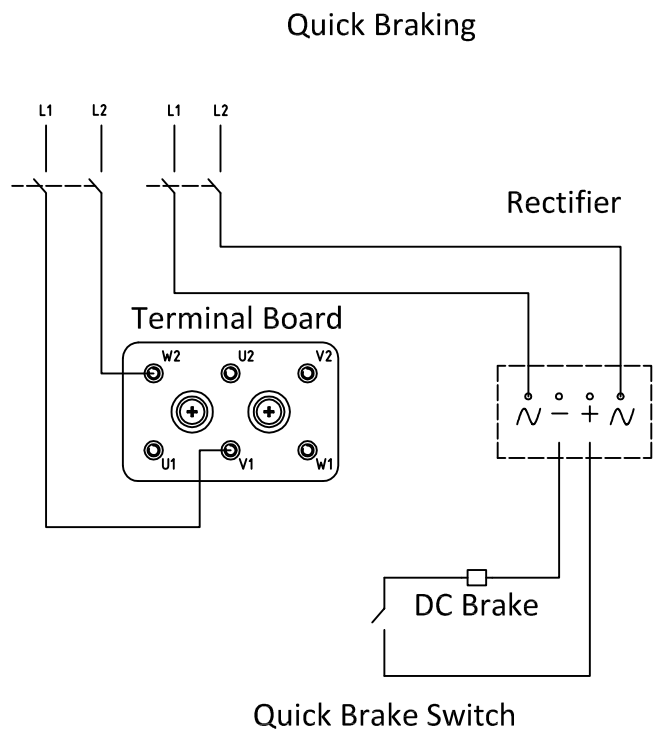
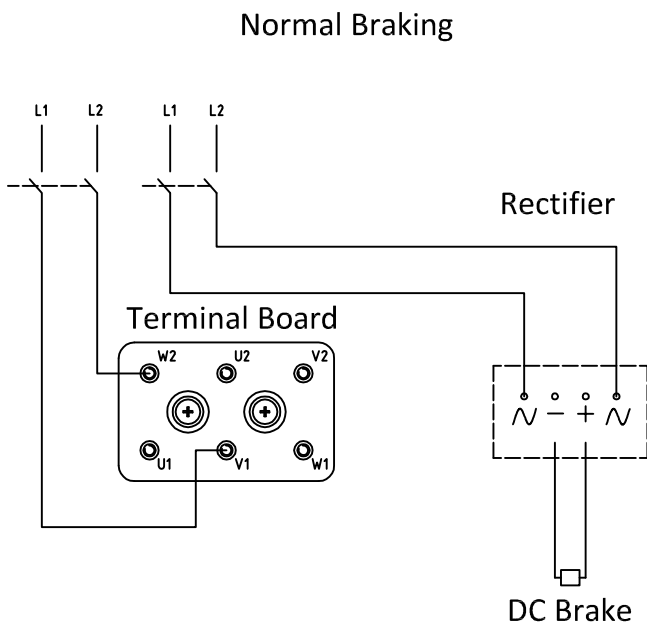


SINGLE-PHASE MOTORS CONNECTION DIAGRAM WITH DC BRAKE AND RECTIFIER

Common Power Supply



Seperate Power Supply



Refer to the user manual for the motor connection diagram