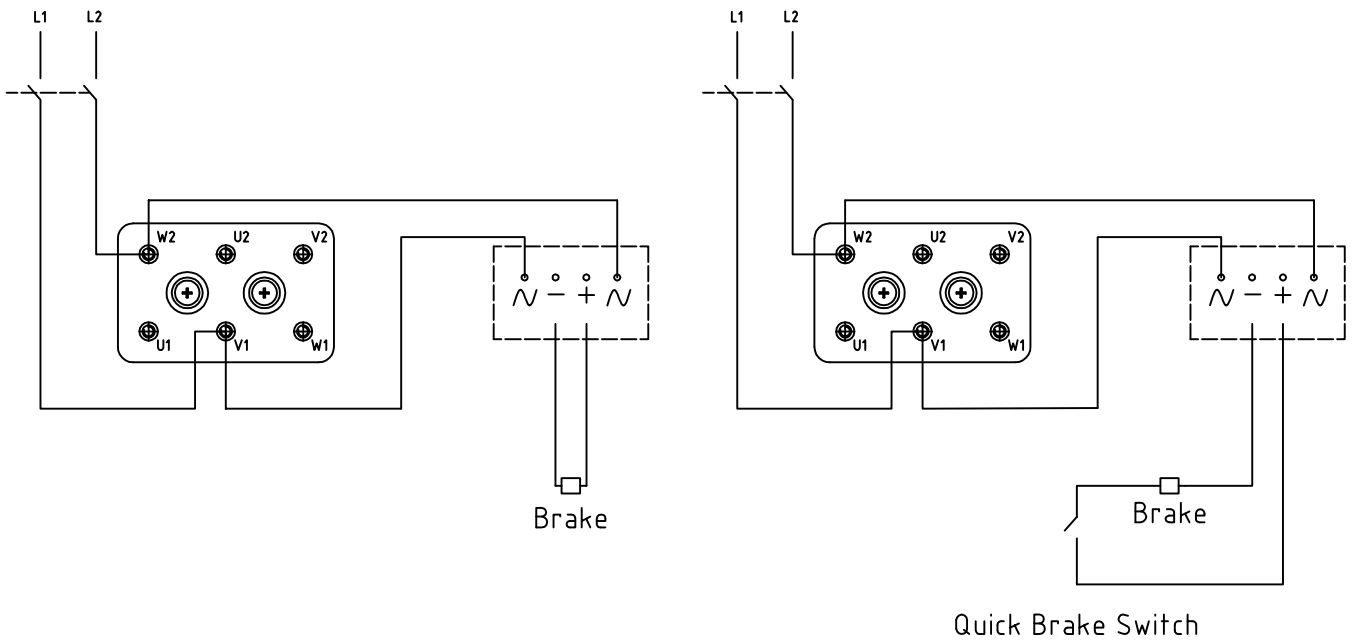
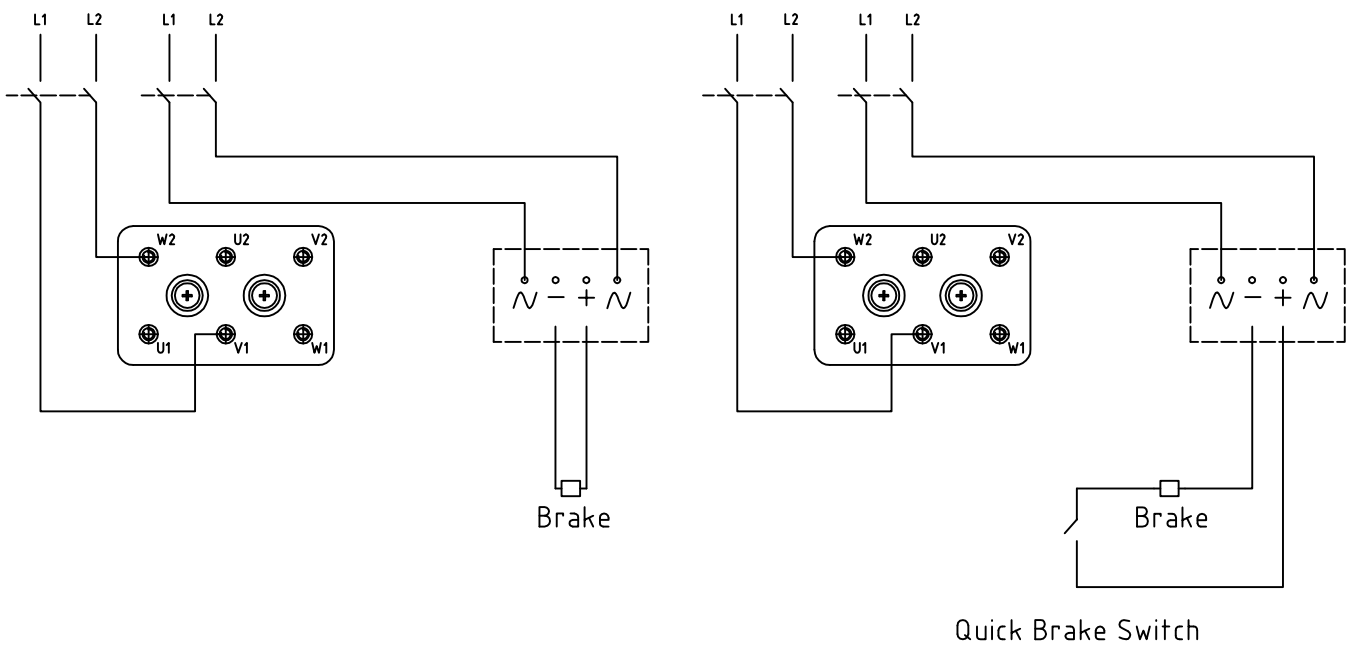


# SINGLE PHASE MOTOR CONNECTION DIAGRAM WITH RECTIFIER - BRAKE

contextual power supply



separate power supply



For the scheme relating to the connection of the motor, refer to the user manual