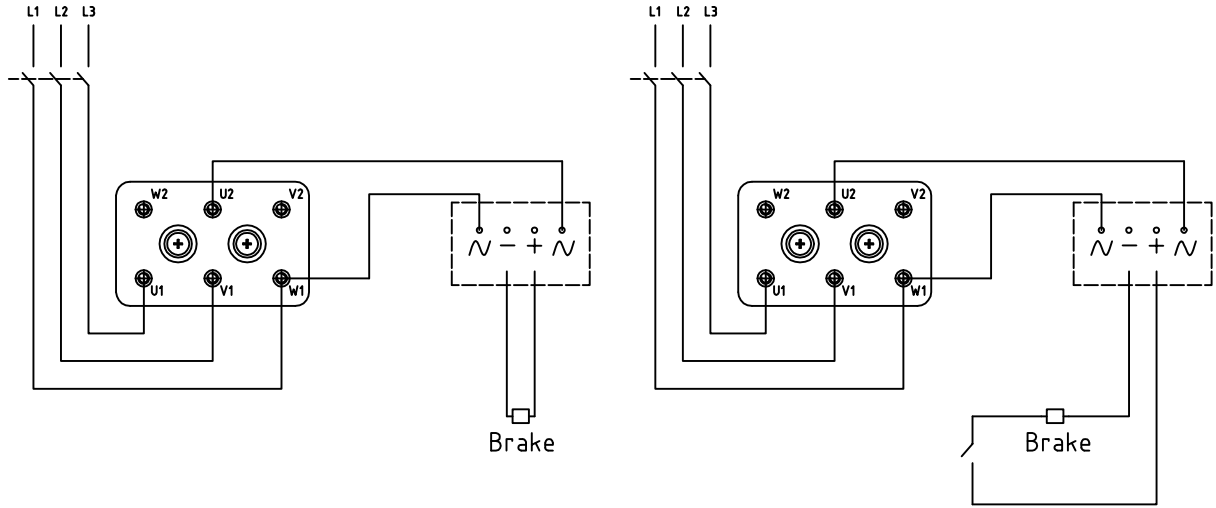


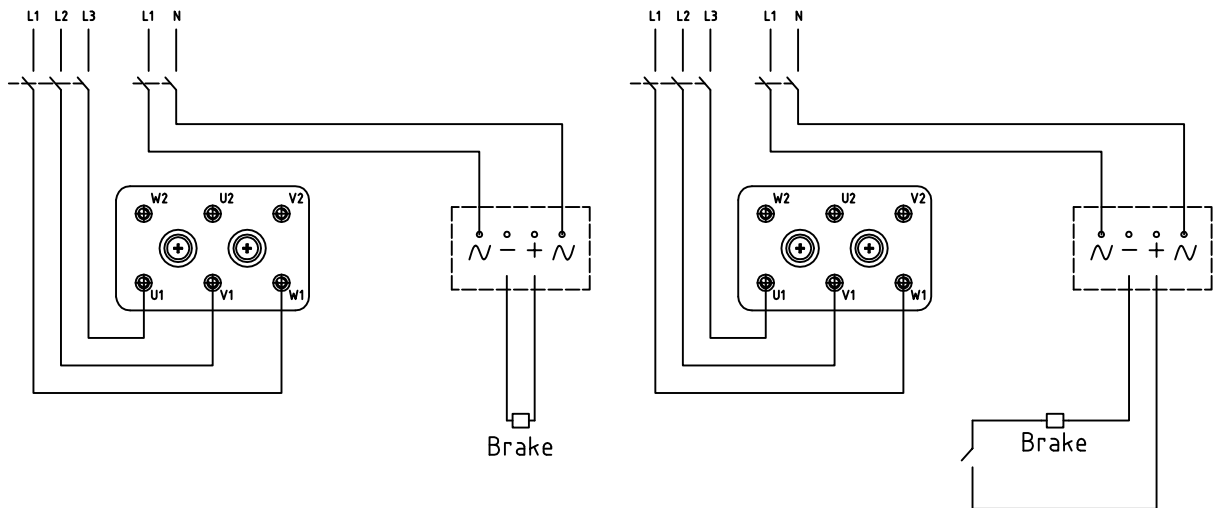
THREE-PHASE MOTOR CONNECTION DIAGRAM WITH RECTIFIER - BRAKE

contextual power supply



Quick Brake Switch

separate power supply



Quick Brake Switch

For the scheme relating to the connection of the motor, refer to the user manual
ZP MOTORI ELETTRICI